

NOTES ON SAFETY

The lowest base position is the safest and should be used as soon as your baby is able to sit up.

When your child is able to climb out or reaches 18 Kg (40lbs) **STOP USING THE COT.**

Use the correct size of mattress as specified.

Remove any cot mobiles when your child is able to sit up.

You may clean the cot with a clean cloth or duster. Do not use abrasives or household polishes.

Regularly check that all bolts and fastenings are tight as a child could trap parts of the body or clothing (eg Strings, necklaces, ribbons for dummies) that would pose a risk of strangulation.

Keep the cot away from sources of strong heat such as open fires, electric fires, gas heaters etc.

DO NOT use plastic bags as mattress covers as these can cause suffocation. If parts are missing or broken **DO NOT** substitute parts. **ALWAYS** obtain new correct parts.

DO NOT place the cot near a window where cords for blinds or drapes may strangle a child.

DO NOT place cords, straps or similar items that could become entangled around a child's neck in or near the cot.

DO NOT leave articles in the cot that could present a risk of strangulation or suffocation.

DO NOT leave articles in the cot which could provide a foothold.

NOTE. THE SAFETY OF THIS COT MAY BE ADVERSELY AFFECTED BY ADDING FLAMMABLE DRAPES.

Manufactured to BS EN 716-1 & 2 : 1996



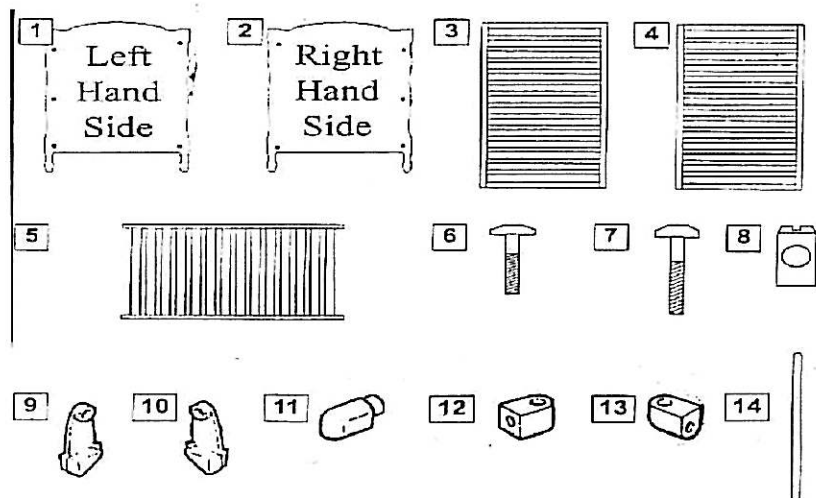
Assembly Instruction for cot IVONNE, DANA, AMY, KATE, OTTO



IMPORTANT - RETAIN FOR FUTURE REFERENCE - READ CAREFULLY

DISTRIBUTED BY: PANIMPEX C.C. 19th Ave. 287 VILLIERIA 0186 PRETORIA

1	Cot head end (LH)	1 pcs	10	Dropside catch (RH)	1 pcs
2	Cot foot end (RH)	1 pcs	11	Plastic top	2 pcs
3	Cot foot end (RH)	1 pcs	12	Plastic guide	2 pcs
4	Dropside	1 pcs	13	Plastic stop	2 pcs
5	Mattress base	1 pcs	14	Dropside guide rod	2 pcs
6	Short bolt	6 pcs			
7	Long bolt	8 pcs			
8	Barrel nut	8 pcs			
9	Dropside catch (LH)	1 pcs			



Assembly

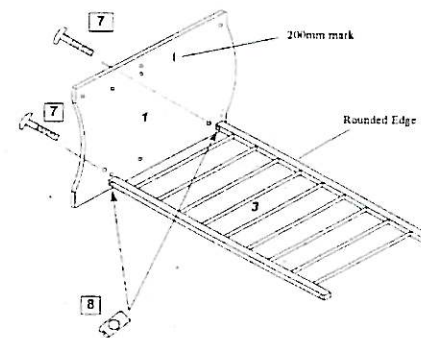
A flat head screwdriver will be needed. Check contents against the list of parts. We suggest that two people assemble the cot in the room in which it is to be used and to follow sequences as pictured. Unpack the cot carefully and unwarped each part taking care not to lose the plastic bag of small items.

OPERATING THE DROPSIDE:

To lower, lift the dropside from the middle, release the two catches and lower the side. To raise, simply lift the side until it rests on the catches.

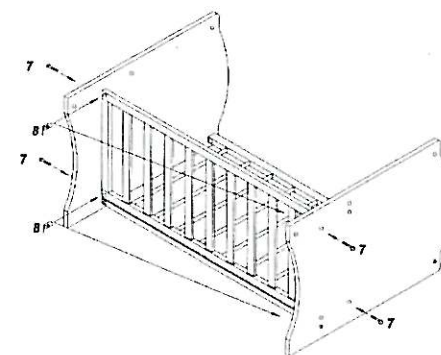
Fitting the fixed cot side.

Turn left hand cot end (1) into its side with the holes for the dropside uppermost as shown below. Bring in the fixed cot side (3), ensuring the rounded edge is at the top. Using a bolt (7) and barrel nut (8), bolt from the outside of the cot end into the barrel nut. You will need a flat head screwdriver to ensure that barrel nut is positioned correctly in the cot side (3). Repeat with the other cot end (2).



Fitting the mattress base.

Your cot has two mattress base positions. Decide which mattress base position you require now. With the cot on its side place the mattress base (5) in between the cot ends (1 & 2), with the holes for the barrel nuts facing the underside of the cot. Insert one barrel nut (8) into the mattress base (5). You will need a flat head screwdriver to ensure that barrel nut is positioned correctly. Using a bolt (7), bolt from the outside of the cot end into the barrel nut (8). Repeat with all four corners. **When your child can sit up you must stop using the highest position! The lowest mattress base position is the safest.**



Fitting the dropside.

Fix plastic stop (13) to the bottom of the cot ends using bolt (6), then fix the plastic guide (12) to the middle hole in the cot ends. Bring the dropside up to the cot, then run one of dropside rods (14):
 1st through the top of the dropside
 2nd through the plastic guide (12)
 3rd through the bottom of the dropside and
 4th into the plastic stop (13).
 Then secure head of the guide rod by bolting through the cot end into the plastic top (11) using a bolt (6). Repeat the process with the other dropside rod (14) and bolt (6). Put plastic quill (15) and roll (16,17) to hold on rock bottom.

